

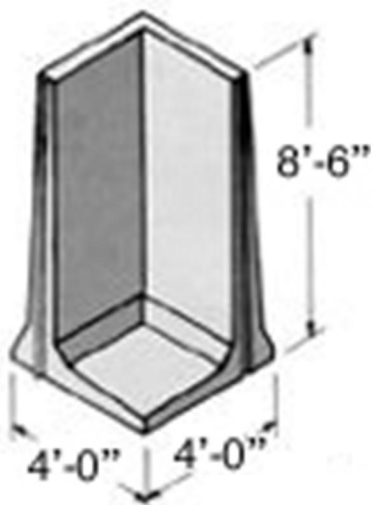
BUNKER SILOS



Durable Concrete Bunker Silos

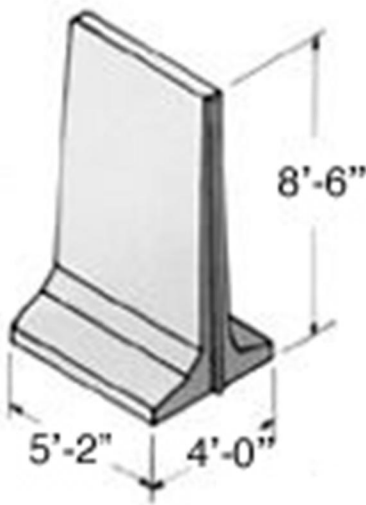
- ▶ Free-Standing System
- ▶ Agricultural, Commercial, Industrial
- ▶ Easy to Expand or Reconfigure

CORNER SECTION



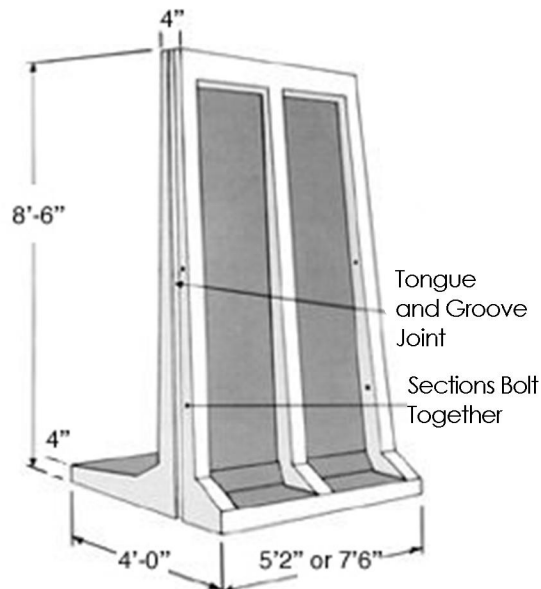
Approximate Weight
3,900 lbs.

CENTER WALL SECTION



Approximate Weight
5,300 lbs.

STANDARD WALL SECTION



Approximate Weight
5'-2" - 3,750 lbs. / 7'-6" - 5,500 lbs.



859 Cleveland Ave., Chambersburg, PA 17201-0692
717-267-4500 • Fax: 717-267-4585
Email: sales@precastsys.com

www.PrecastSystemsLLC.com

Contact Us for Silage Capacity Information

"When you need a concrete solution ... call Precast Systems, LLC."