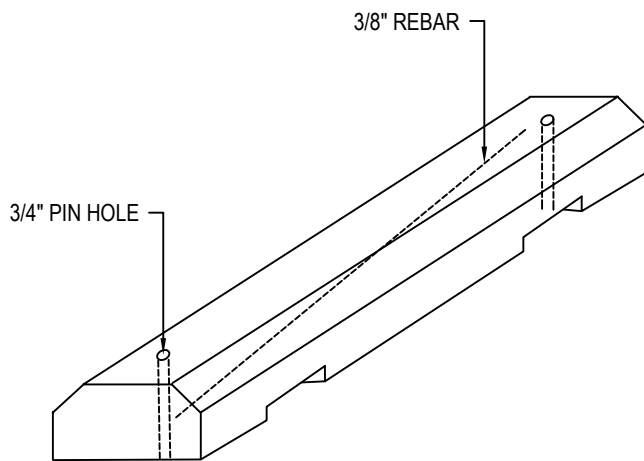


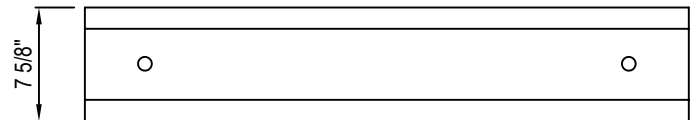
# NITTERHOUSE

MASONRY PRODUCTS, LLC

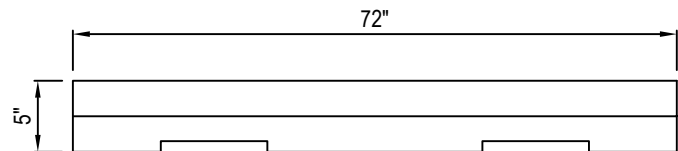
NITTERHOUSE MASONRY PRODUCTS, LLC  
859 CLEVELAND AVE.  
CHAMBERSBURG, PA 17201  
PHONE: (717) 267-4500  
FAX: (717) 267-4527  
[www.nitterhousemasonry.com](http://www.nitterhousemasonry.com)



PERSPECTIVE



TOP VIEW



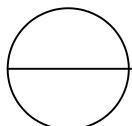
FRONT VIEW

## SPECIFICATIONS

WEIGHT: 185 LBS

## NOTES:

1. INSTALLATION TO BE COMPLETED IN ACCORDANCE WITH MANUFACTURER'S SPECIFICATIONS.
2. DO NOT SCALE DRAWING.
3. THIS DRAWING IS INTENDED FOR USE BY ARCHITECTS, ENGINEERS, CONTRACTORS, CONSULTANTS AND DESIGN PROFESSIONALS FOR PLANNING PURPOSES ONLY. THIS DRAWING MAY NOT BE USED FOR CONSTRUCTION.
4. ALL INFORMATION CONTAINED HEREIN WAS CURRENT AT THE TIME OF DEVELOPMENT BUT MUST BE REVIEWED AND APPROVED BY THE PRODUCT MANUFACTURER TO BE CONSIDERED ACCURATE.
5. CONTRACTOR'S NOTE: FOR PRODUCT AND COMPANY INFORMATION VISIT [www.CADdetails.com/info](http://www.CADdetails.com/info) AND ENTER REFERENCE NUMBER 2452-015



## PARKING BLOCK

CONCRETE CAR PARKING BLOCKS: 6FT CAR STOP