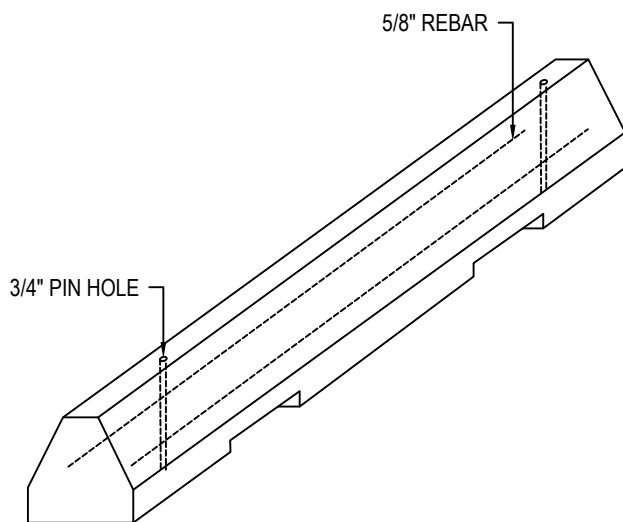


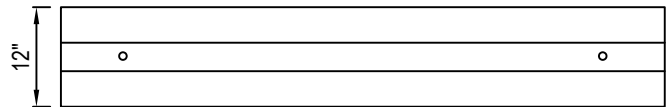
NITTERHOUSE

MASONRY PRODUCTS, LLC

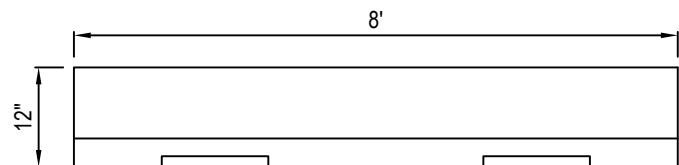
NITTERHOUSE MASONRY PRODUCTS, LLC
859 CLEVELAND AVE.
CHAMBERSBURG, PA 17201
PHONE: (717) 267-4500
FAX: (717) 267-4527
www.nitterhousemasonry.com



PERSPECTIVE



TOP VIEW



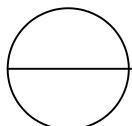
FRONT VIEW

SPECIFICATIONS

WEIGHT: 933 LBS

NOTES:

1. INSTALLATION TO BE COMPLETED IN ACCORDANCE WITH MANUFACTURER'S SPECIFICATIONS.
2. DO NOT SCALE DRAWING.
3. THIS DRAWING IS INTENDED FOR USE BY ARCHITECTS, ENGINEERS, CONTRACTORS, CONSULTANTS AND DESIGN PROFESSIONALS FOR PLANNING PURPOSES ONLY. THIS DRAWING MAY NOT BE USED FOR CONSTRUCTION.
4. ALL INFORMATION CONTAINED HEREIN WAS CURRENT AT THE TIME OF DEVELOPMENT BUT MUST BE REVIEWED AND APPROVED BY THE PRODUCT MANUFACTURER TO BE CONSIDERED ACCURATE.
5. CONTRACTOR'S NOTE: FOR PRODUCT AND COMPANY INFORMATION VISIT www.CADdetails.com/info AND ENTER REFERENCE NUMBER 2452-016



PARKING BLOCK

CONCRETE TRUCK PARKING STOPS: 8FT TRUCK STOP