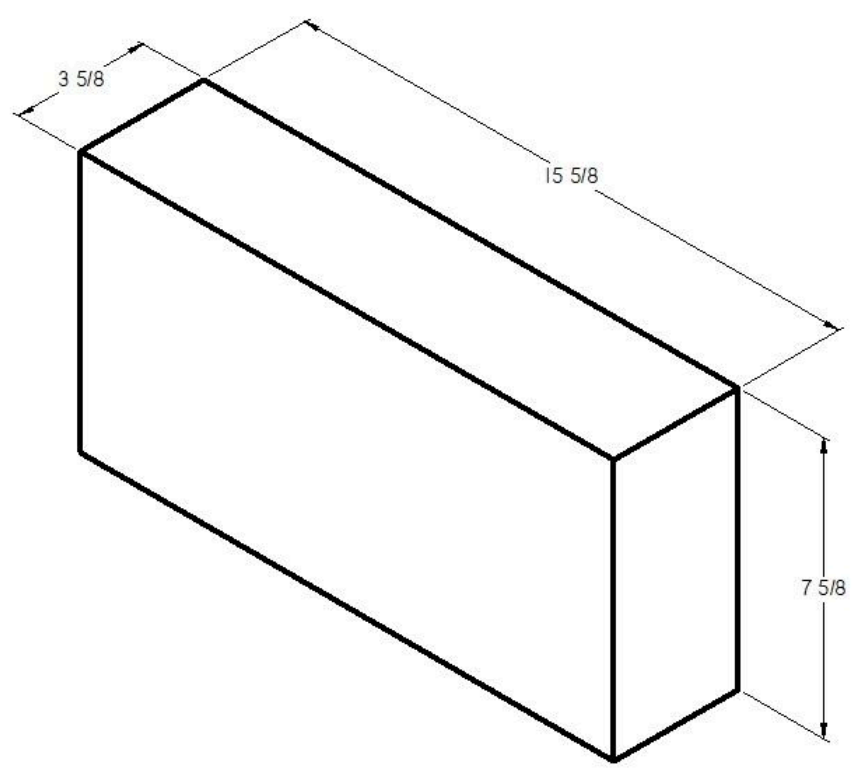
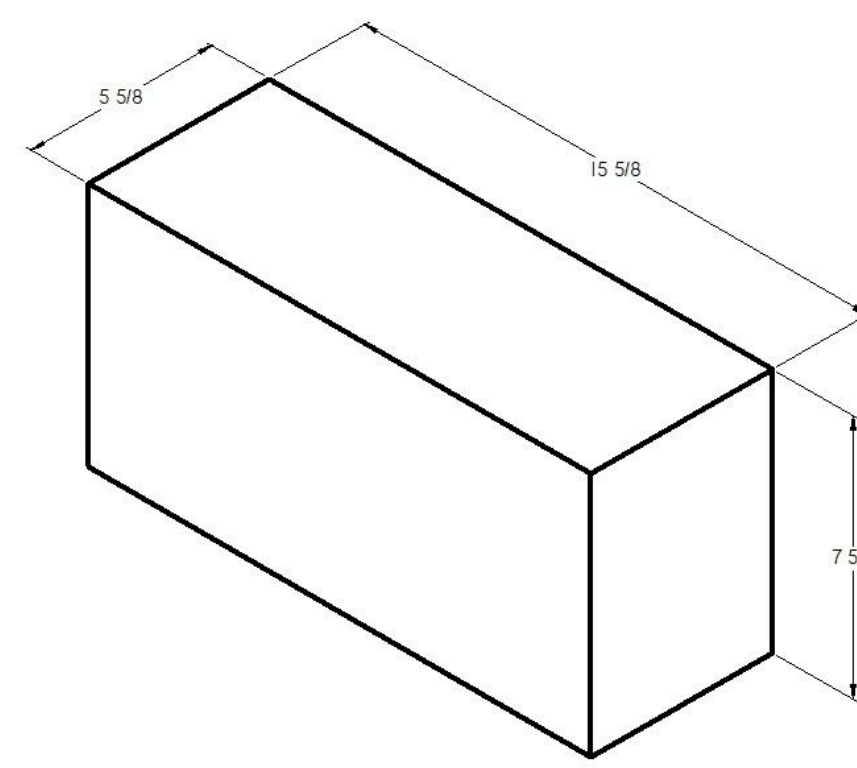


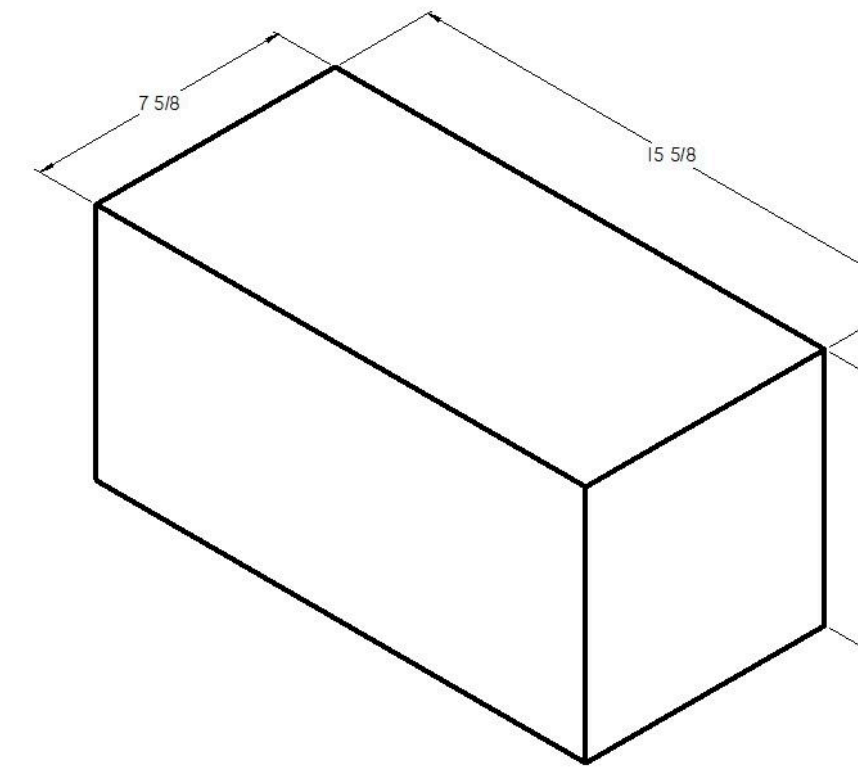
ARCHITECTURAL BLOCK REFERENCE GUIDE



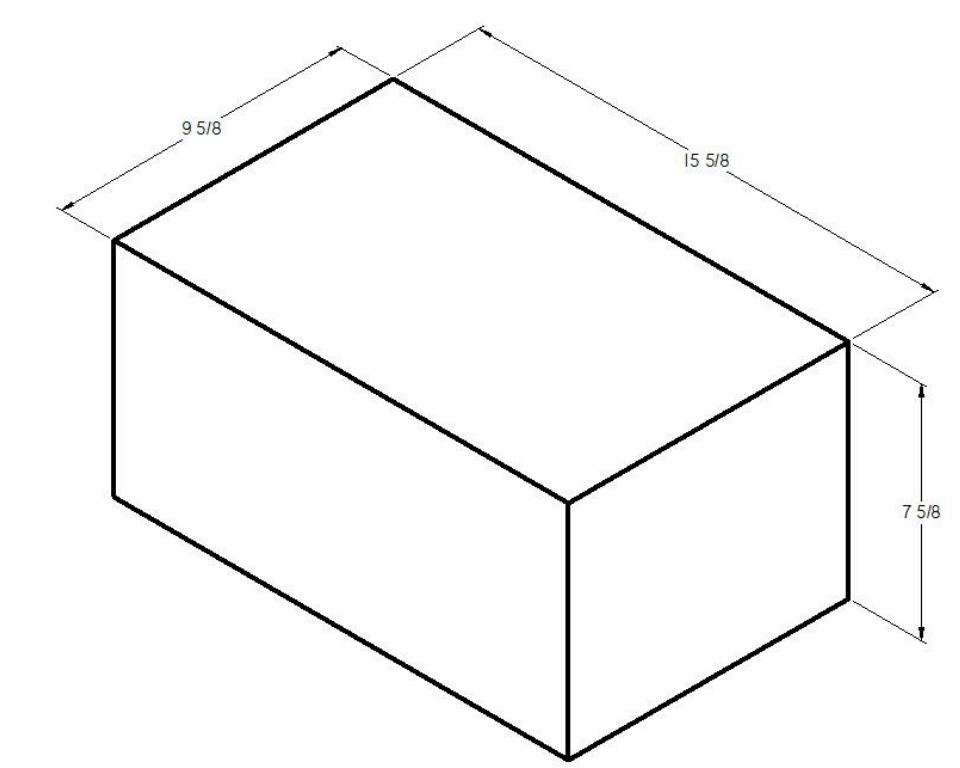
SOLID
4" X 8" X 16"



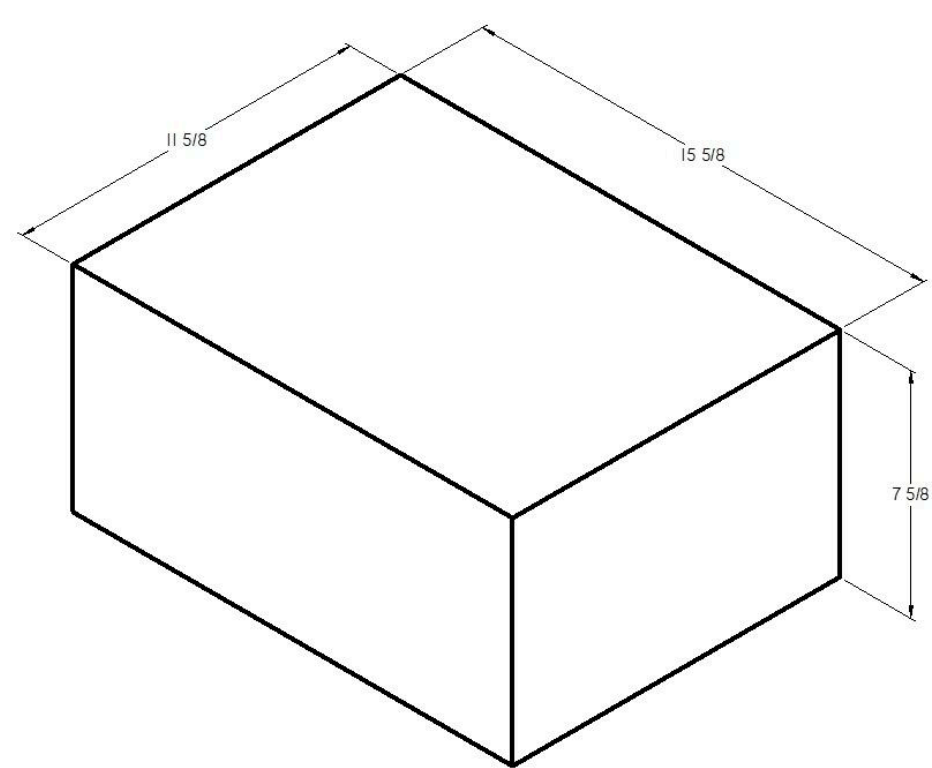
SOLID
6" X 8" X 16"



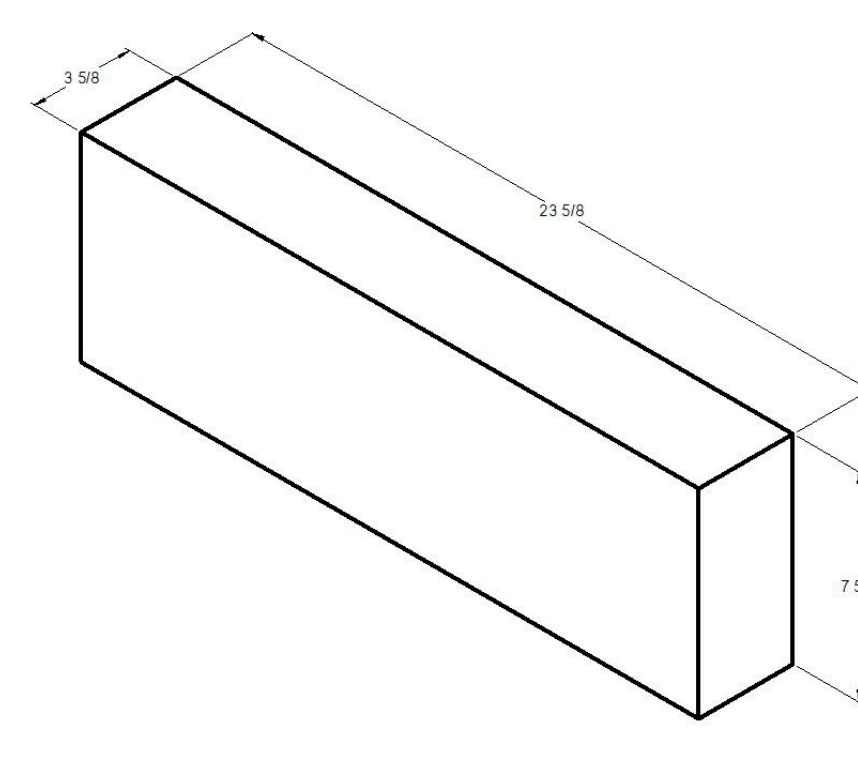
SOLID
8" X 8" X 16"



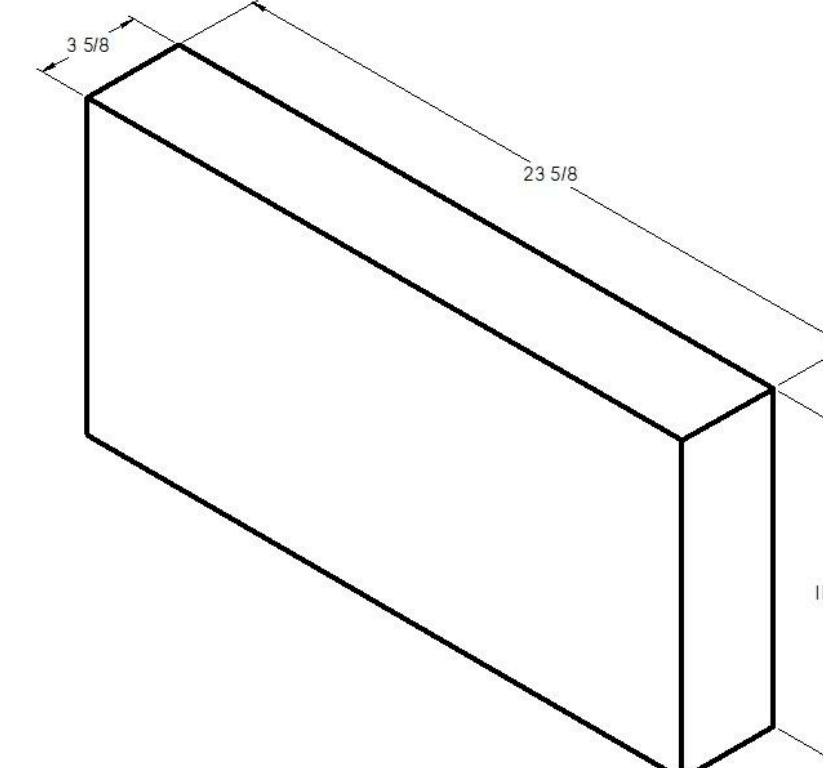
SOLID
10" X 8" X 16"



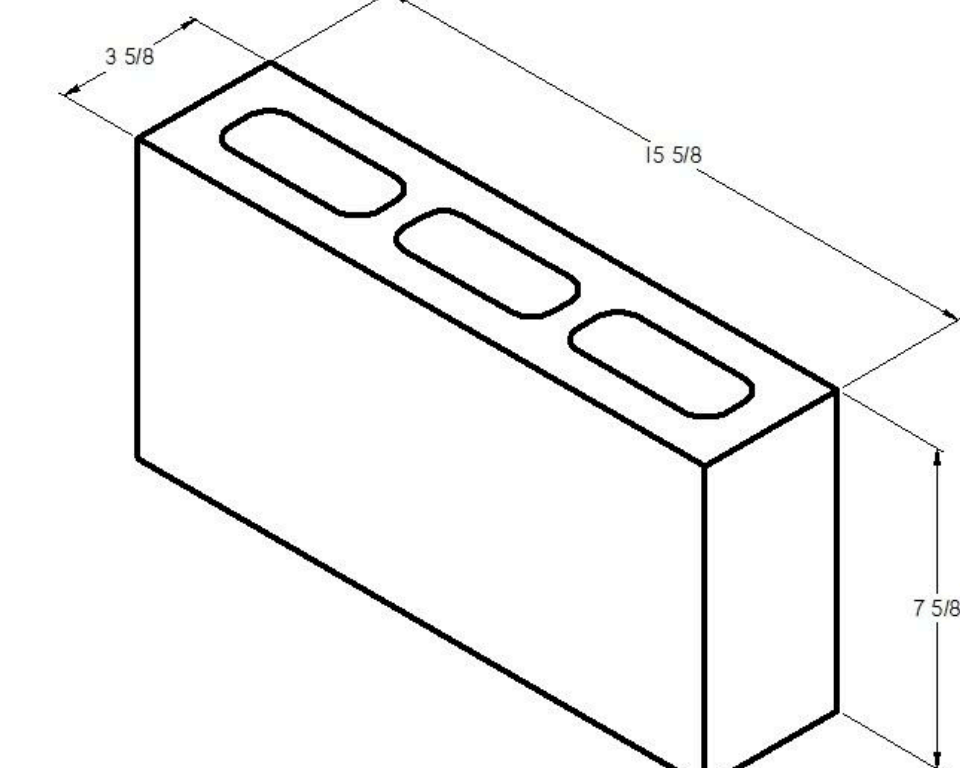
SOLID
12" X 8" X 16"



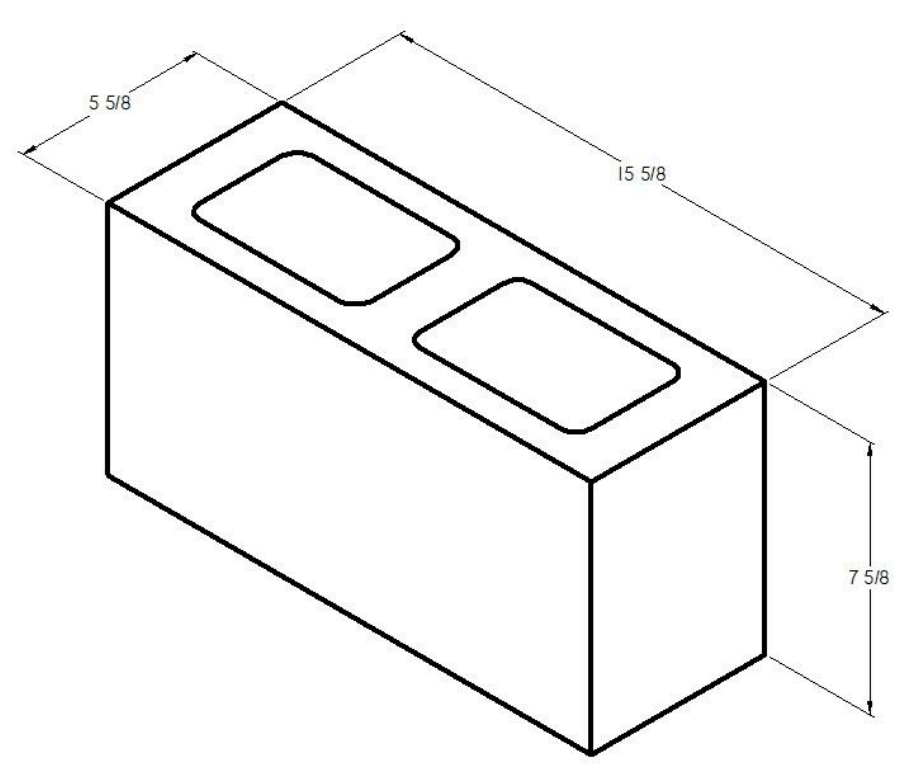
SOLID
4" X 8" X 24"



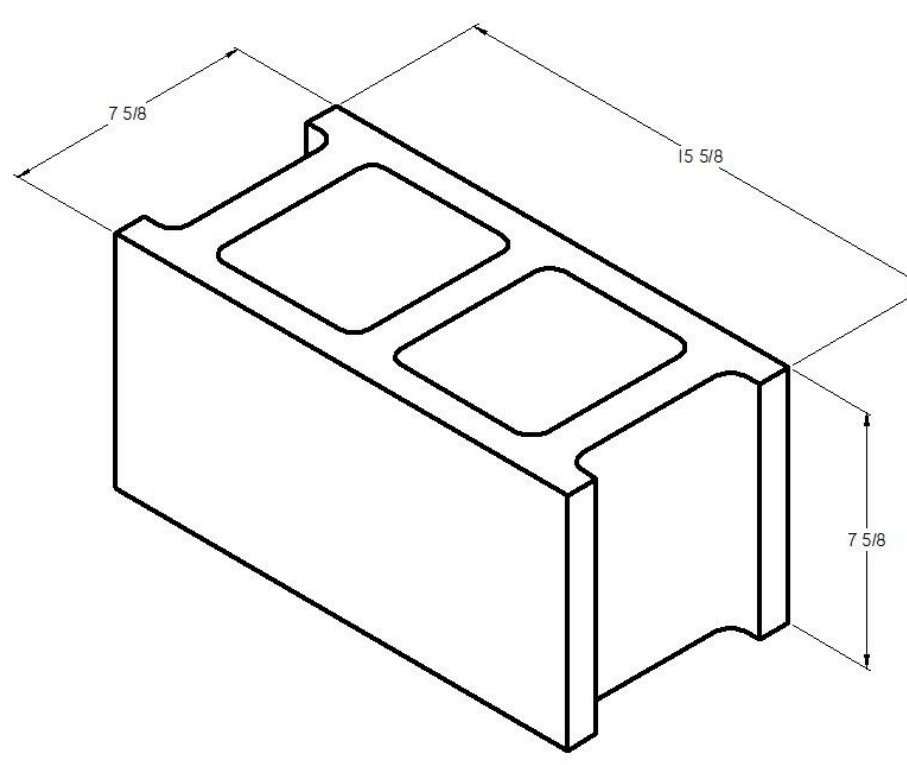
SOLID
4" X 12" X 24"



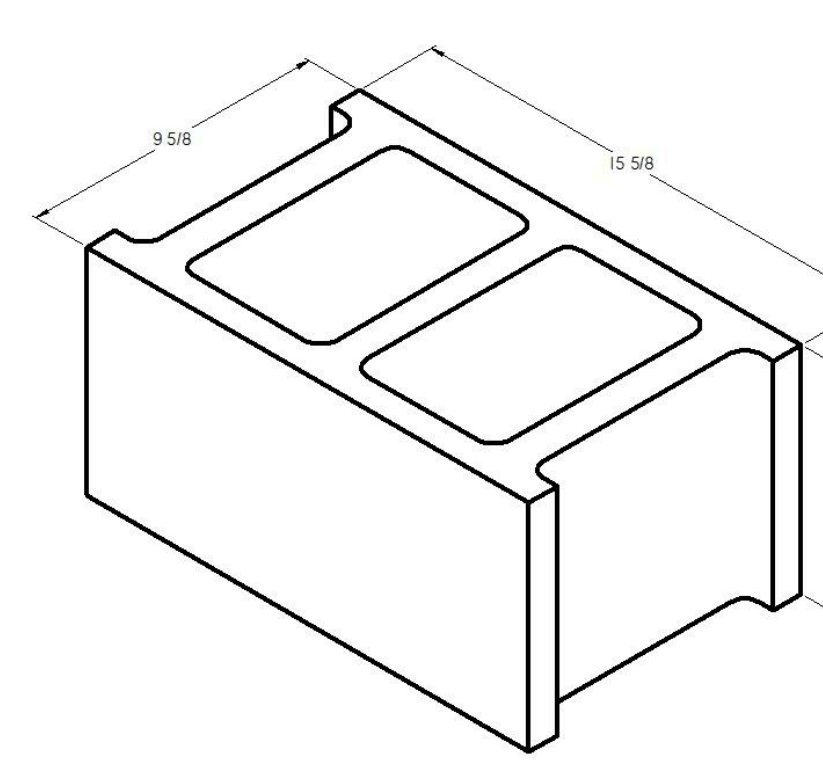
CORED
4" X 8" X 16"



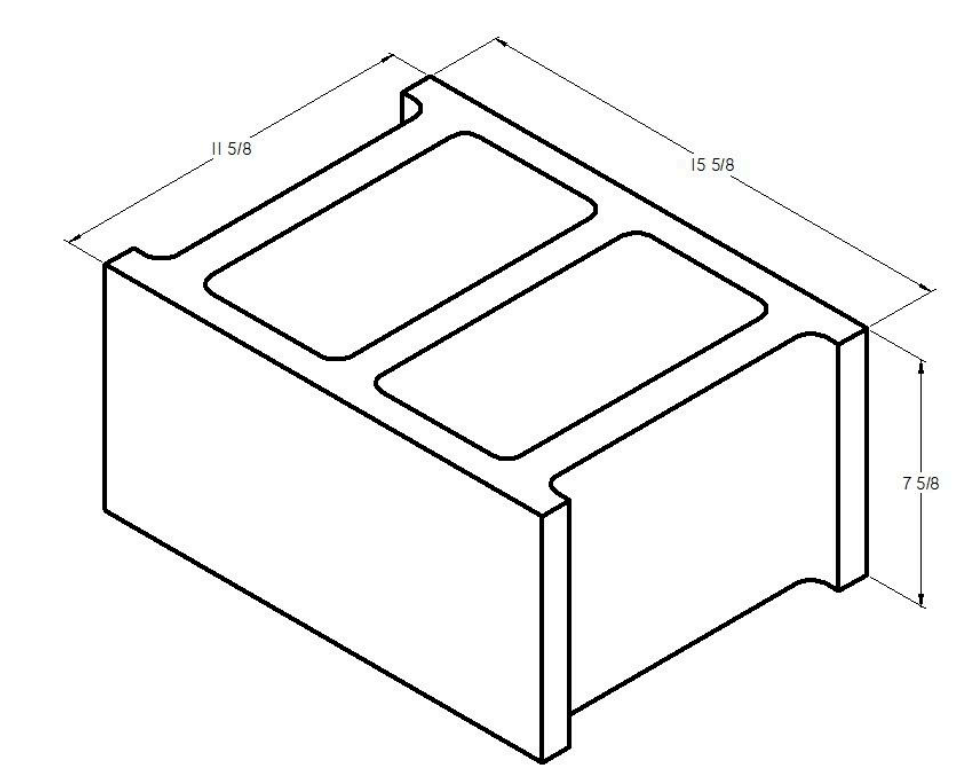
CORED
6" X 8" X 16"



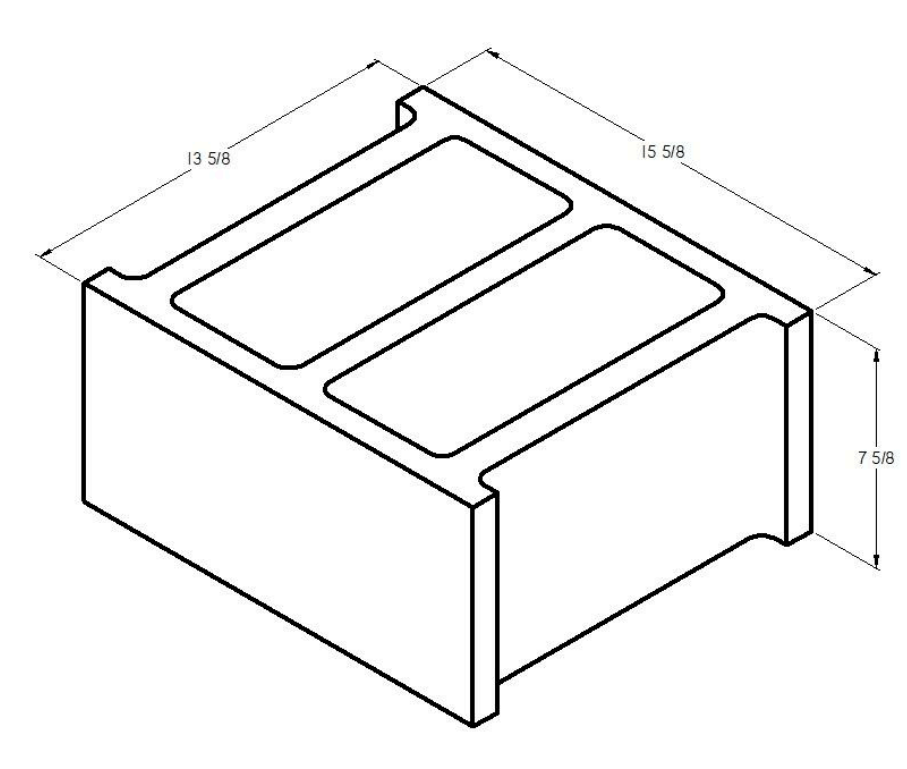
CORED
8" X 8" X 16"



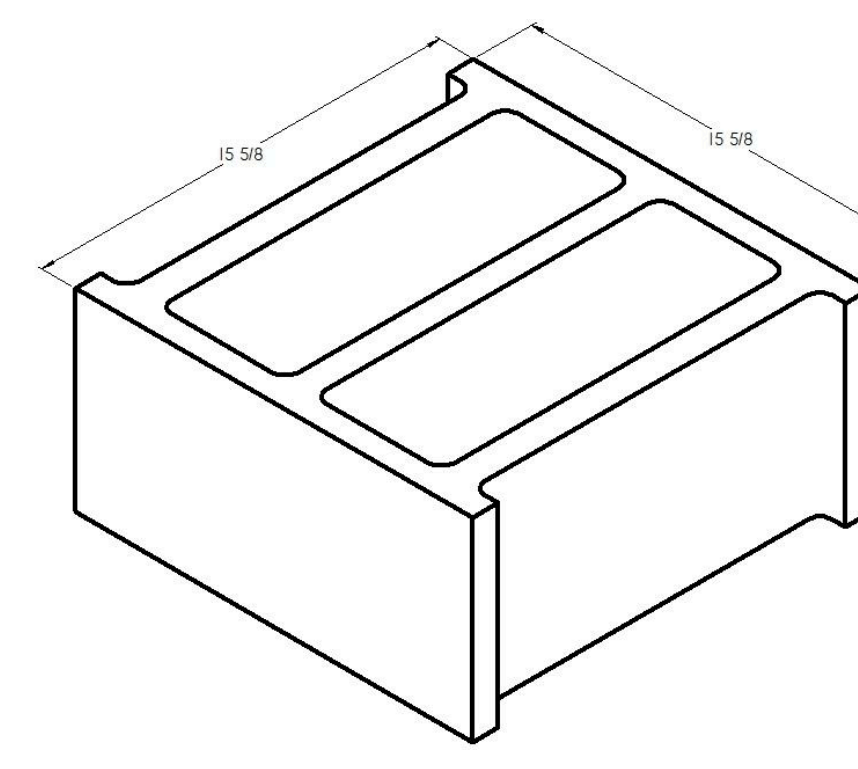
CORED
10" X 8" X 16"



CORED
12" X 8" X 16"

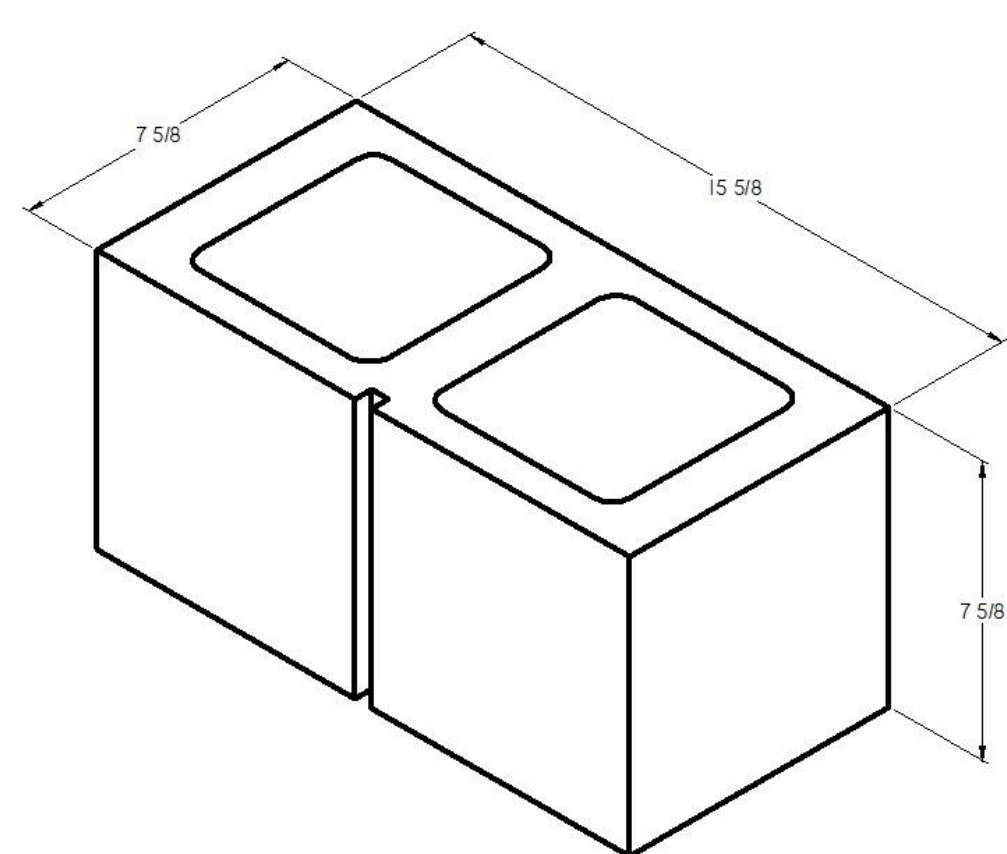


CORED
14" X 8" X 16"

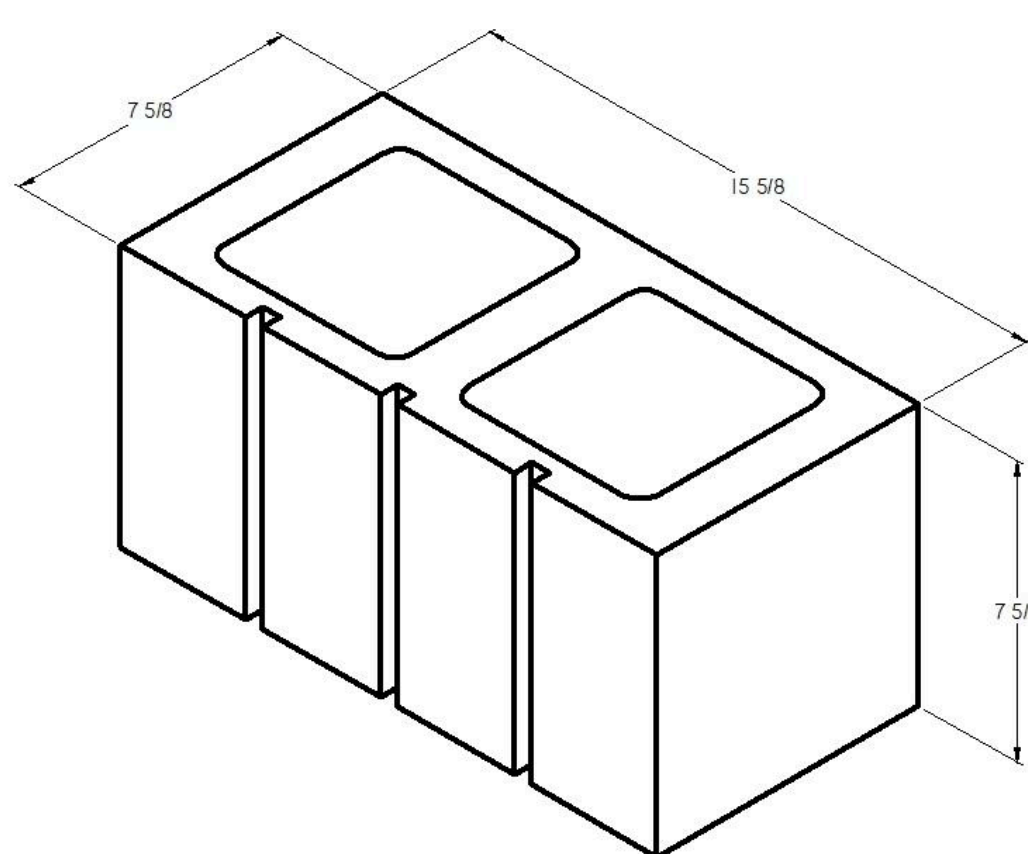


CORED
16" X 8" X 16"

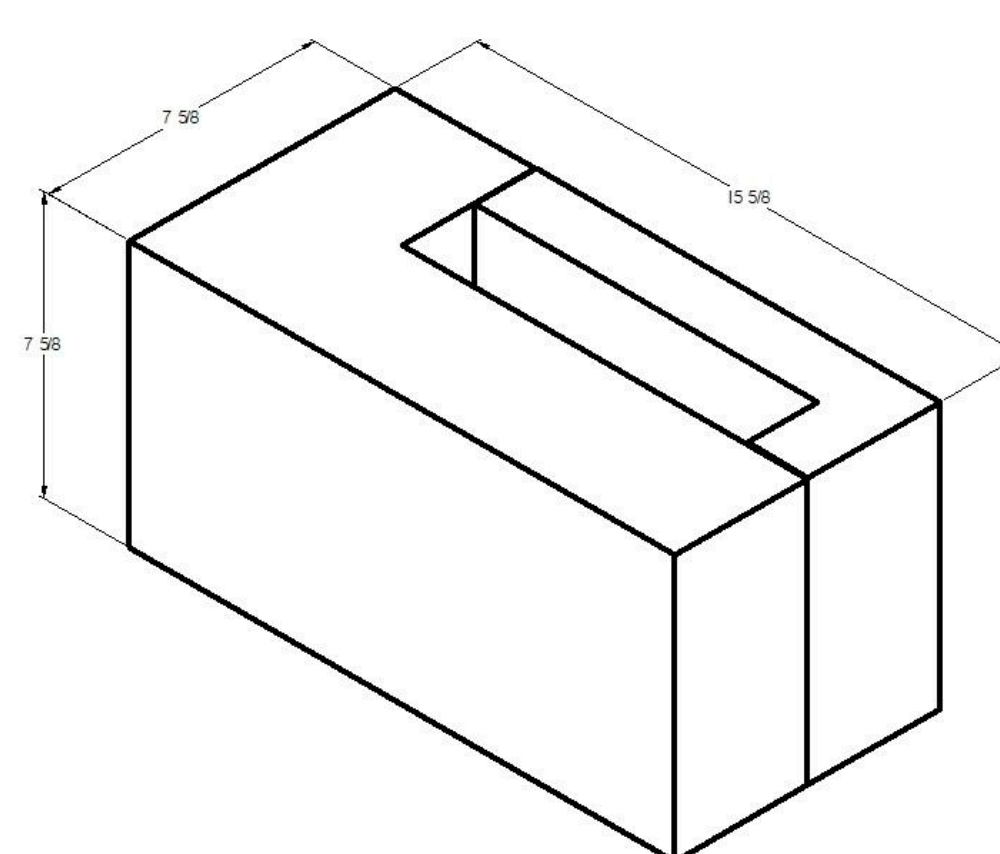
ARCHITECTURAL BLOCK REFERENCE GUIDE



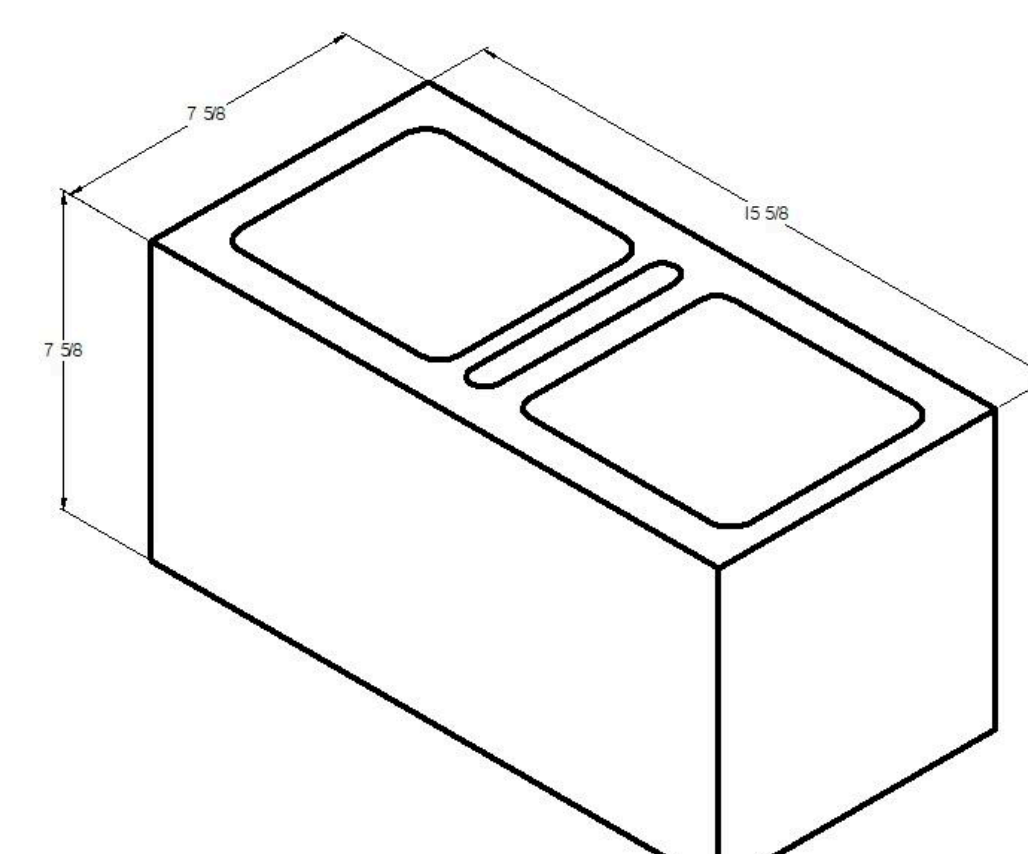
SCORED
8" X 8" X 16"



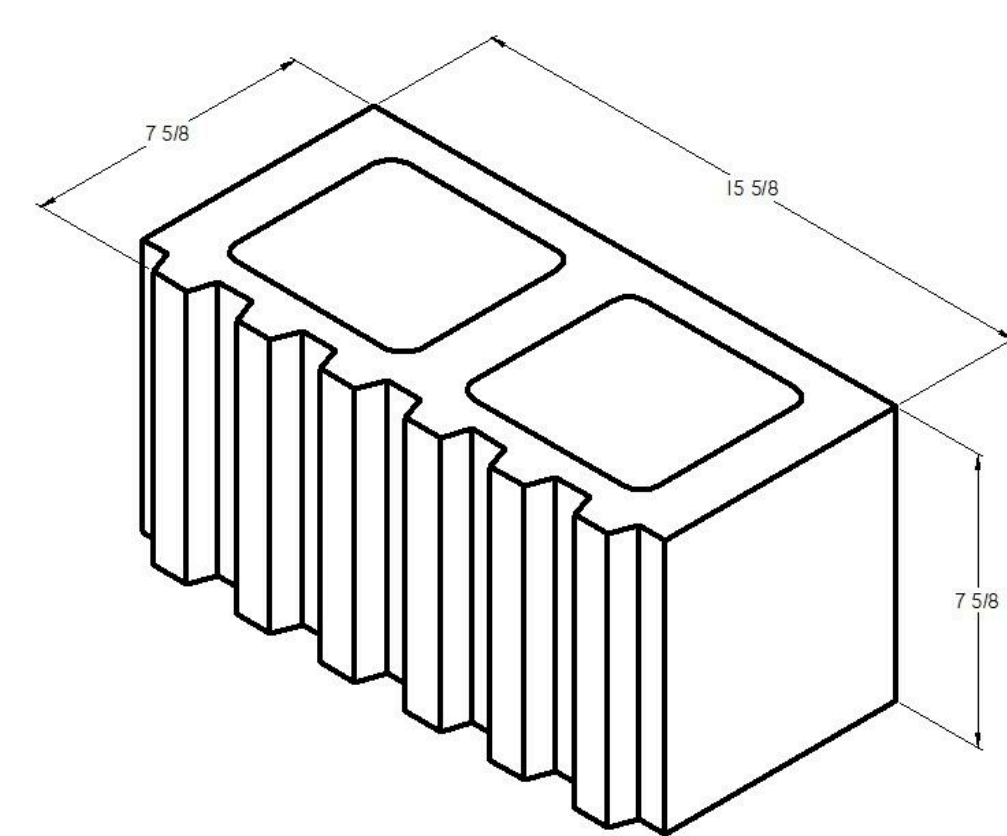
SPLIT WIDE
8" X 8" X 16"



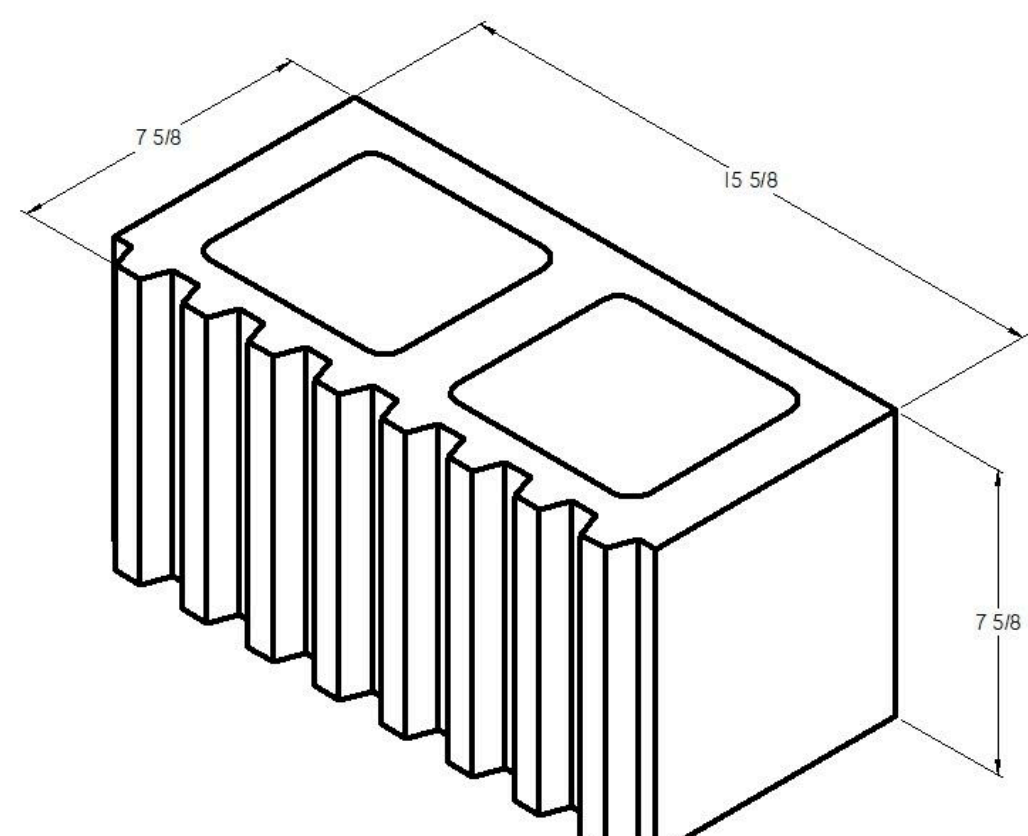
UNIVERSAL CORNER
8" X 8" X 16"



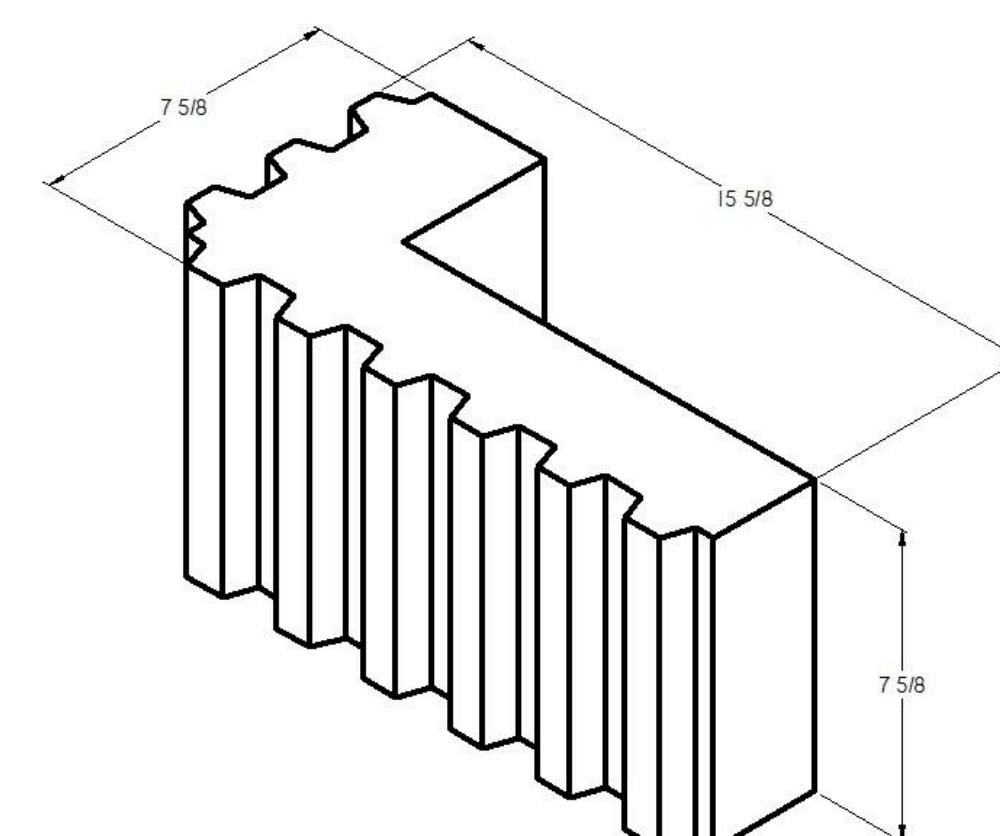
DOUBLE END CORNER
8" X 8" X 16"



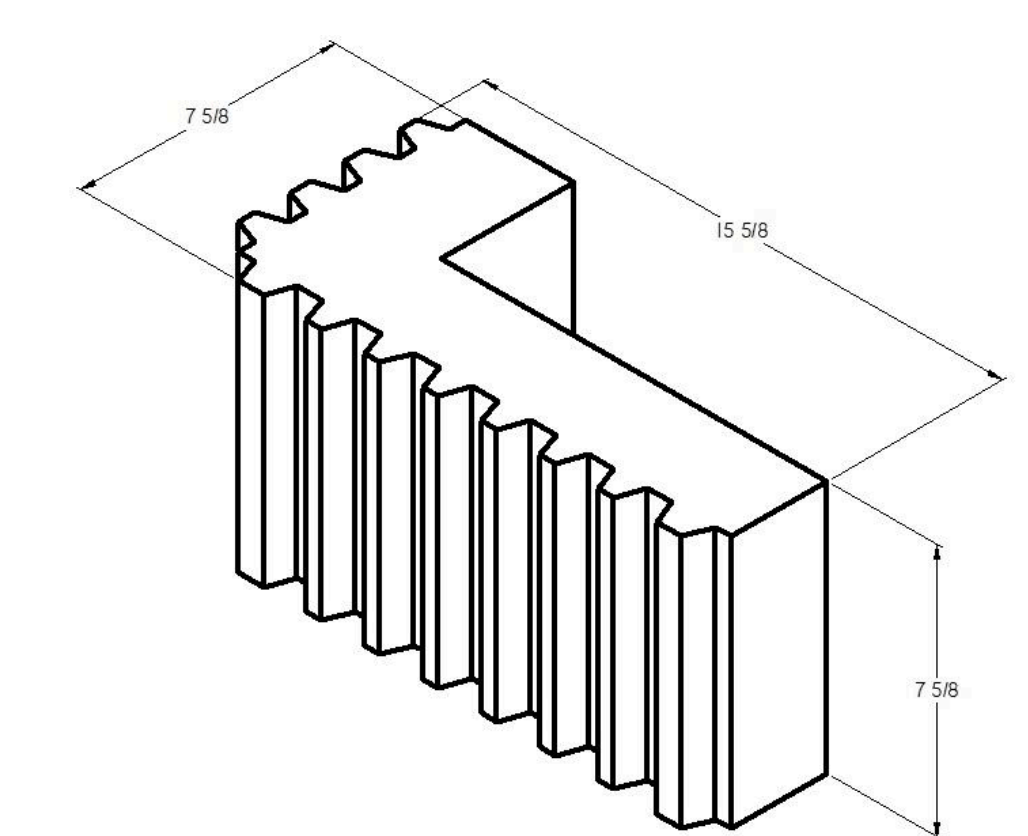
SPLIT 6 FLUTE
8" X 8" X 16"



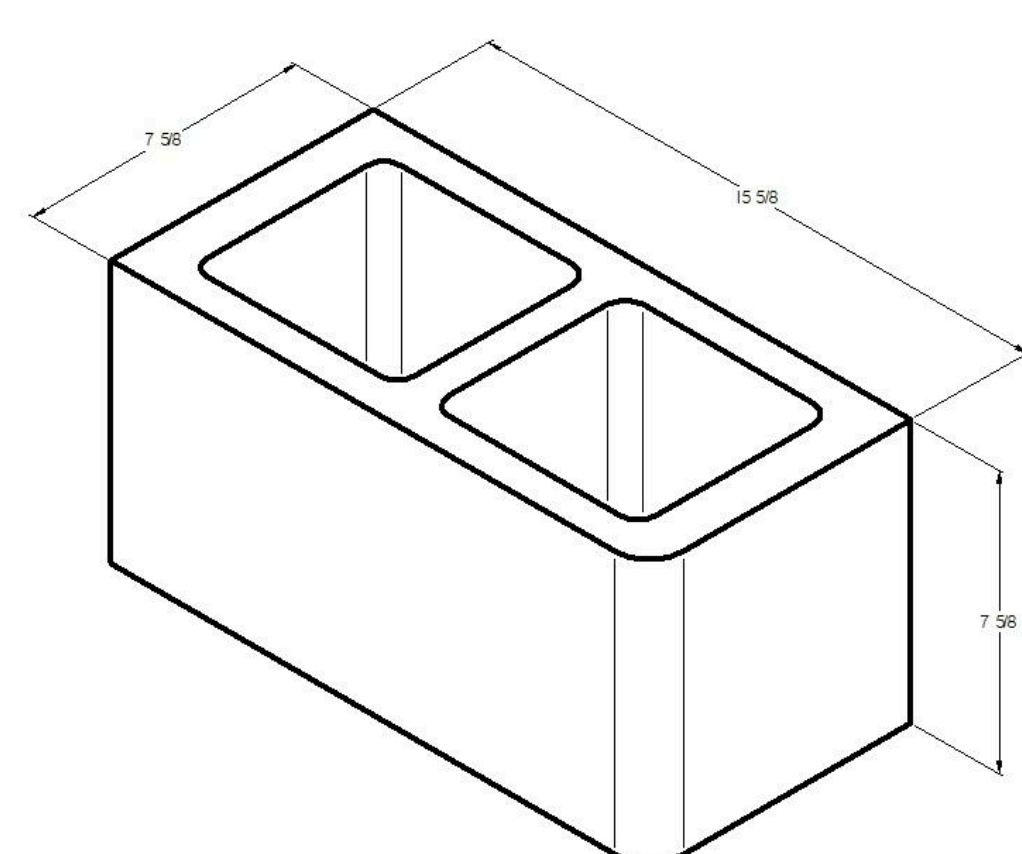
SPLIT 8 FLUTE
8" X 8" X 16"



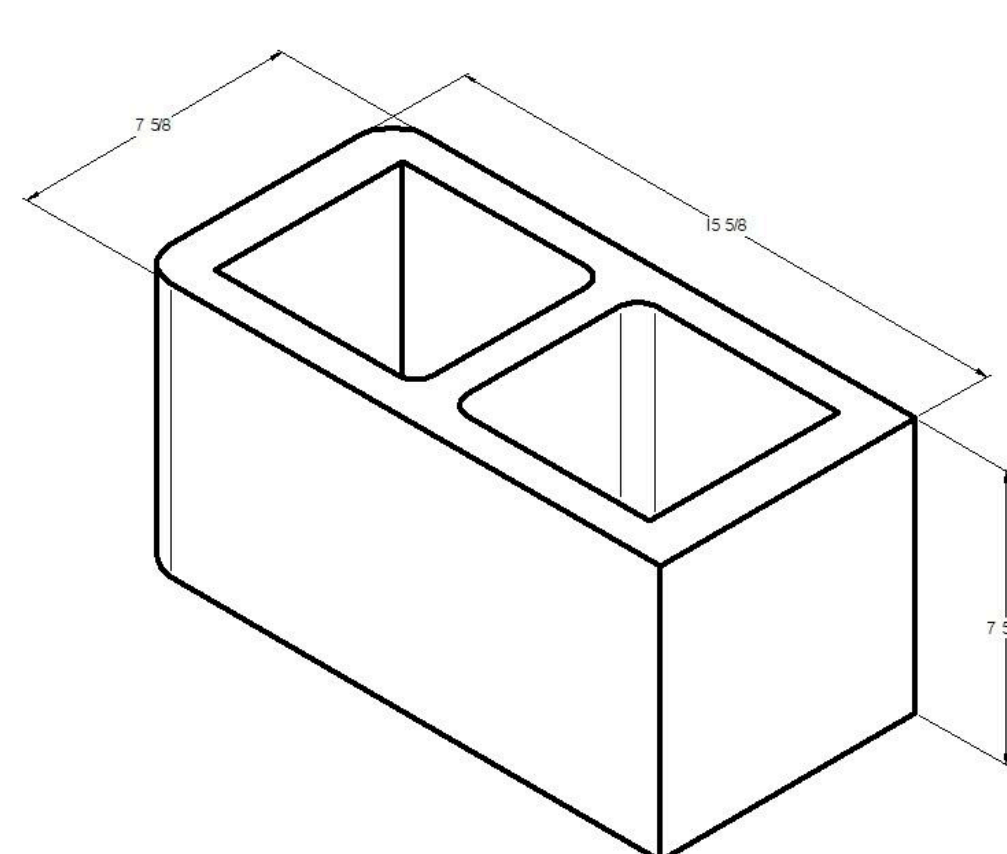
SPLIT 6 FLUTE (L-CORNER)
4" X 8" X 16"



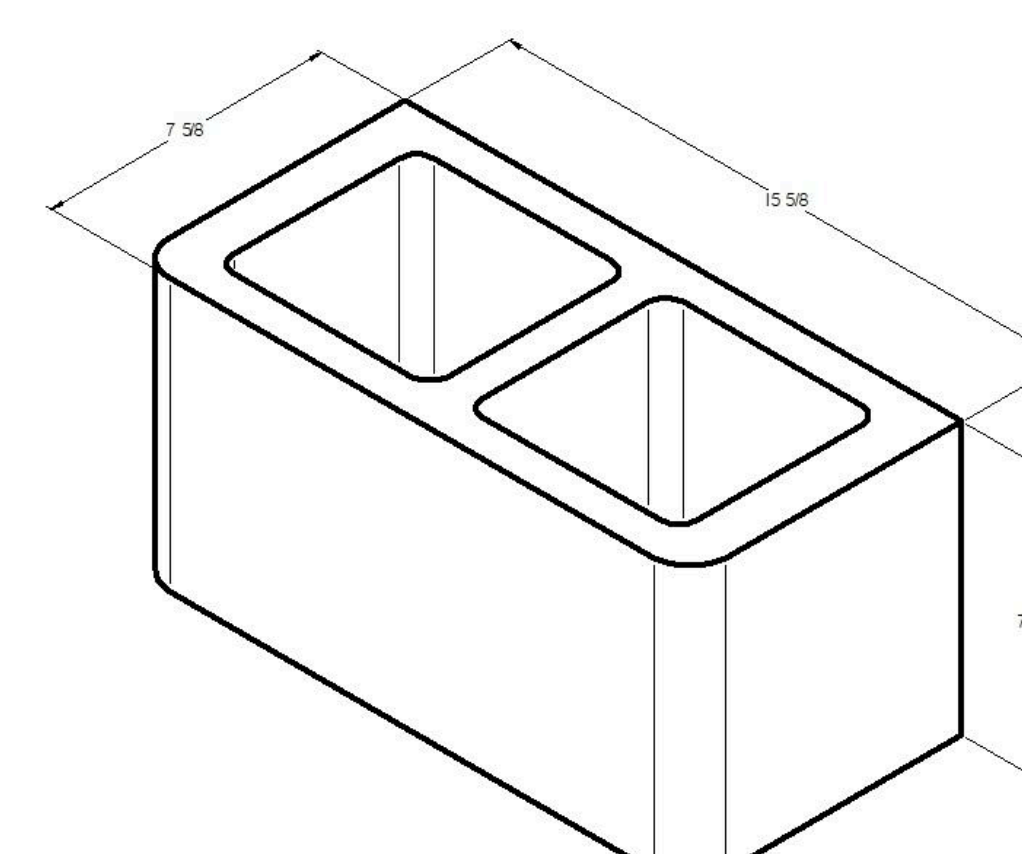
SPLIT 8 FLUTE (L-CORNER)
4" X 8" X 16"



SINGLE END BULLNOSE
8" X 8" X 16"

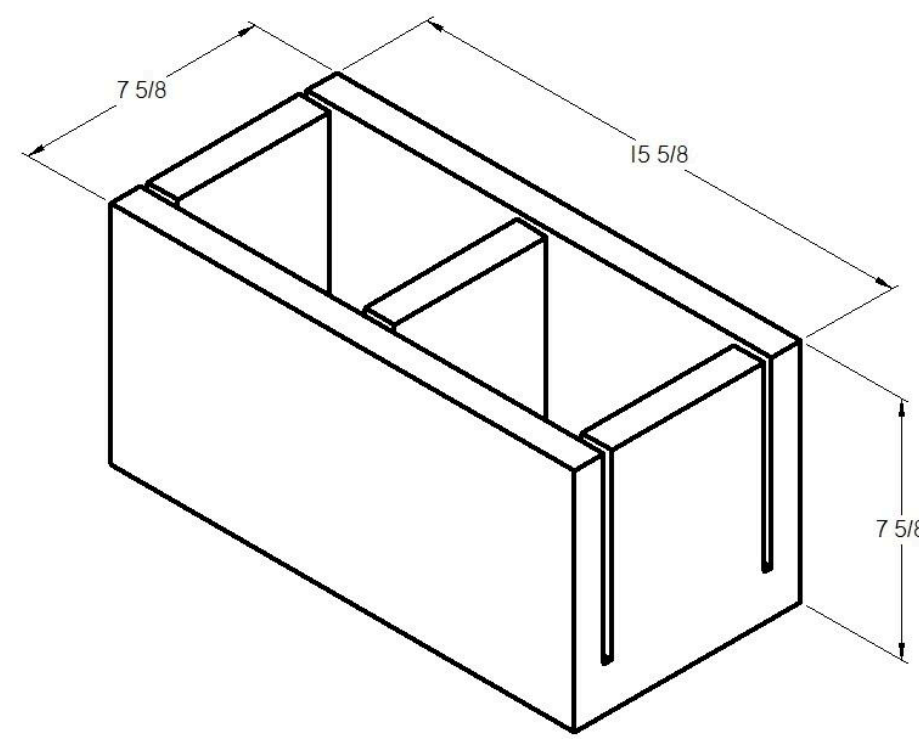


DOUBLE END BULLNOSE
8" X 8" X 16"

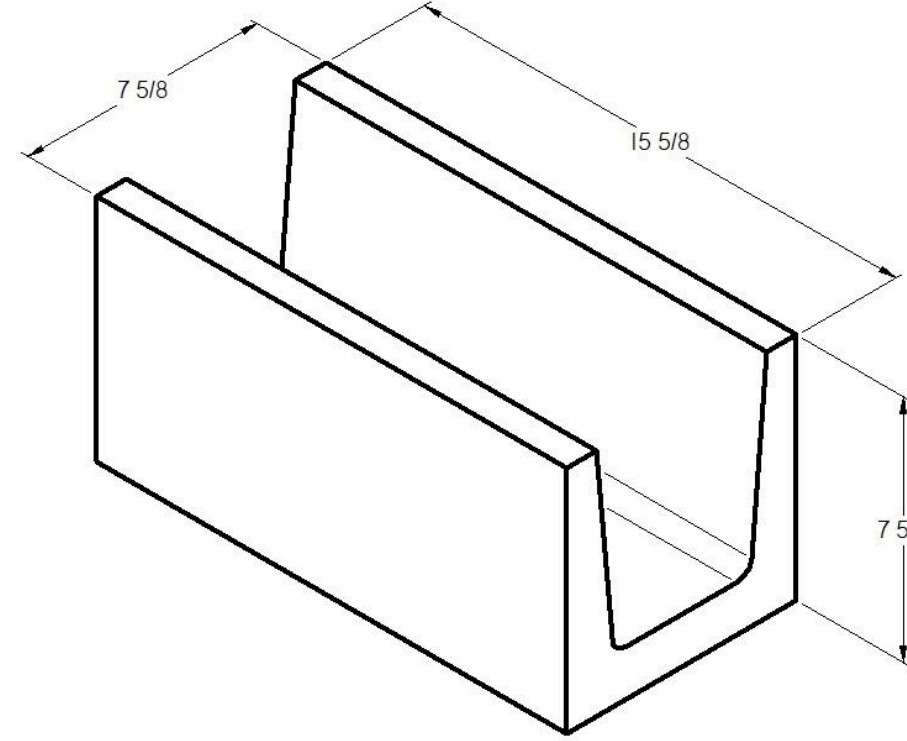


DOUBLE FACE BULLNOSE
8" X 8" X 16"

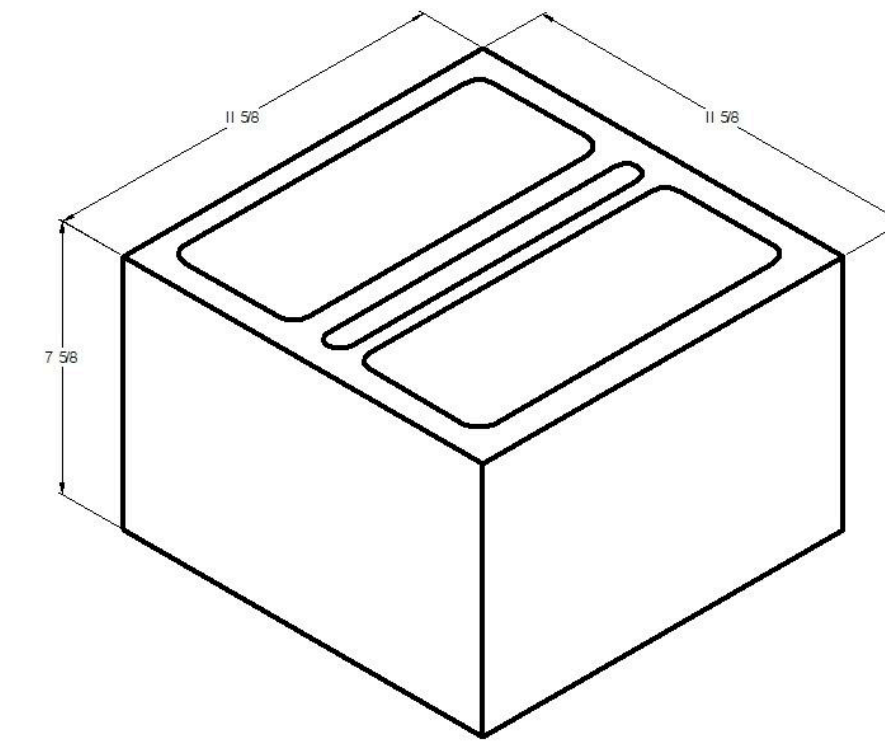
ARCHITECTURAL BLOCK REFERENCE GUIDE



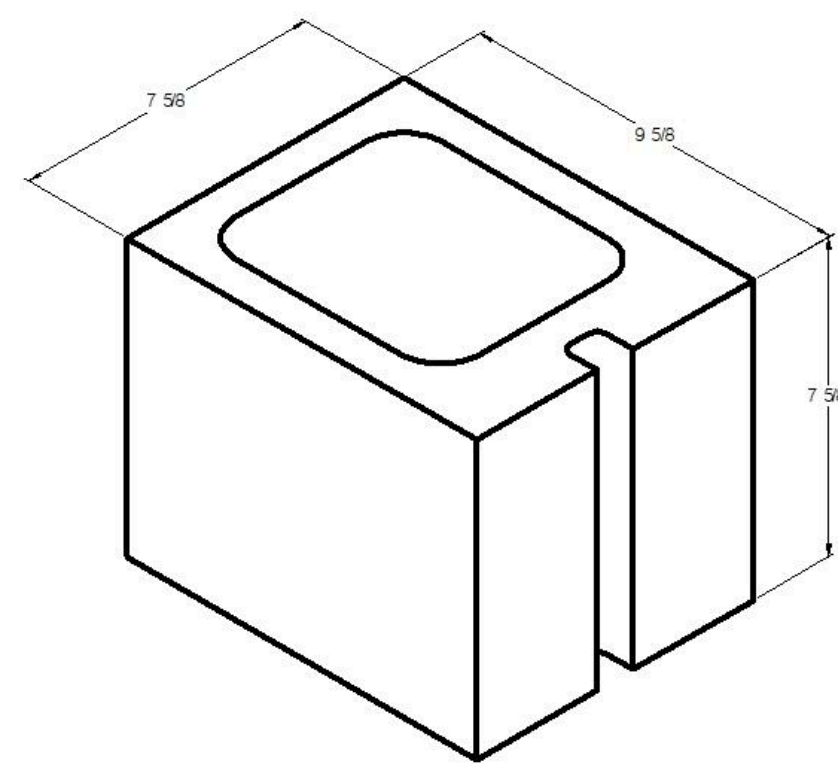
**OPEN BOTTOM
BOND BEAM**
8" X 8" X 16"



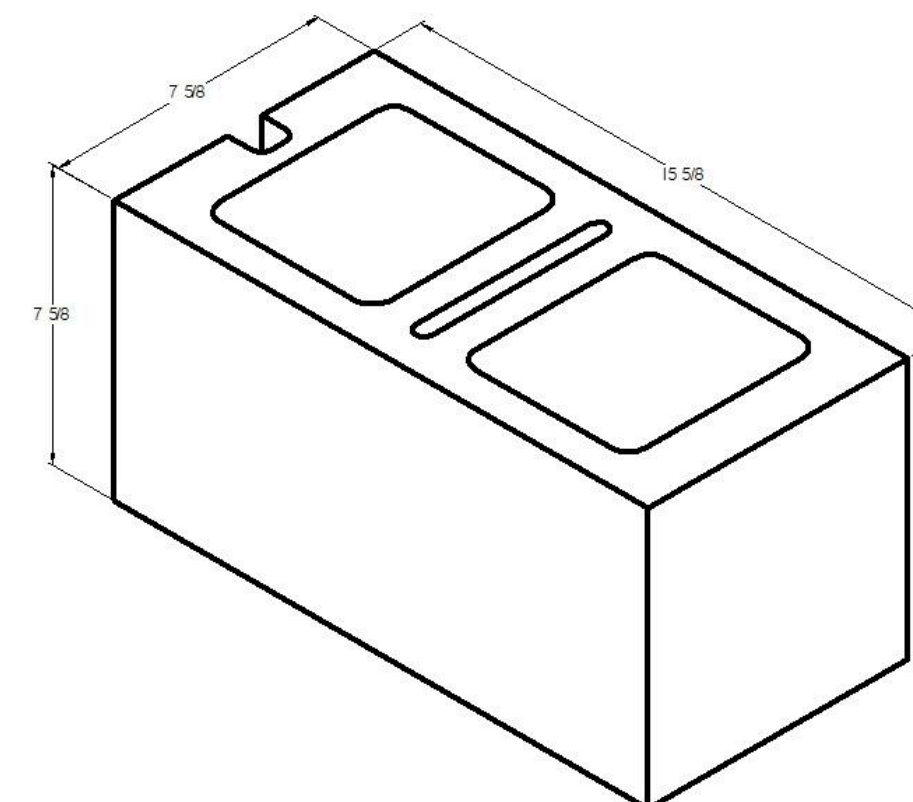
**CLOSED BOTTOM
BOND BEAM**
8" X 8" X 16"



PIER BLOCK
12" X 8" X 12"

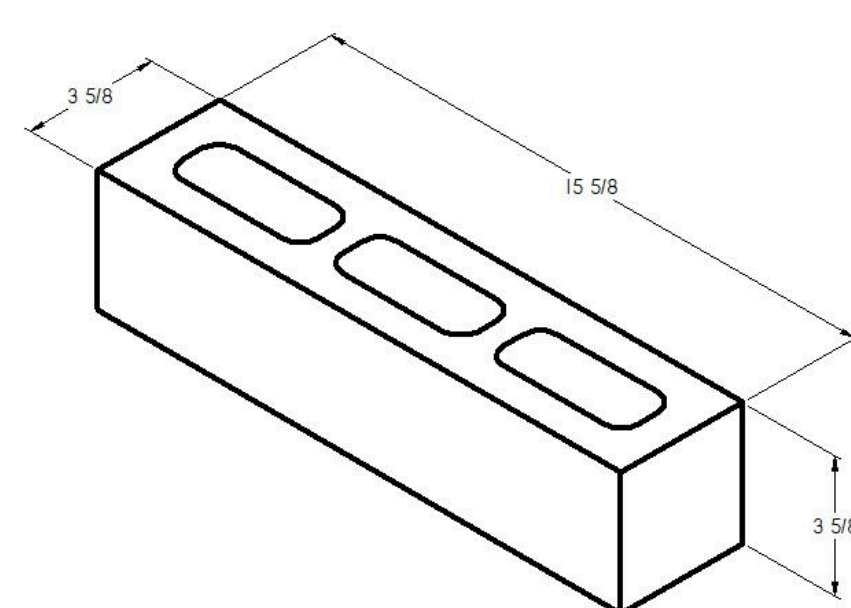


HALF SASH BLOCK
10" X 8" X 8"

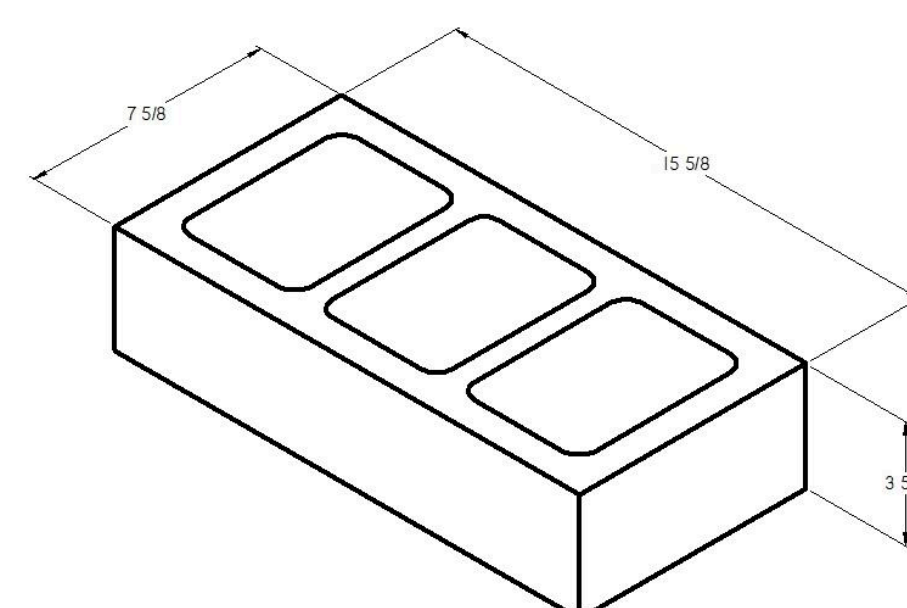


WHOLE SASH BLOCK
8" X 8" X 16"

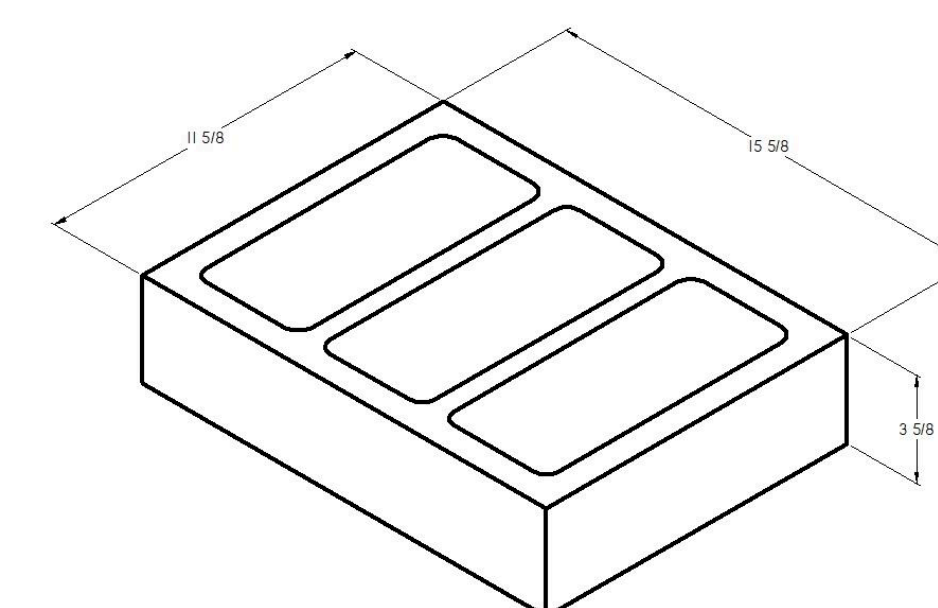
MONARCH BLOX



MONARCH BLOX
4" X 4" X 16"



MONARCH BLOX
8" X 4" X 16"



MONARCH BLOX
12" X 4" X 16"

READY TO BUILD YOUR NEXT PROJECT?

Need a quote, technical specs, or expert advice? Our team is ready to help. Call us today at (717) 267-4500 to get started.